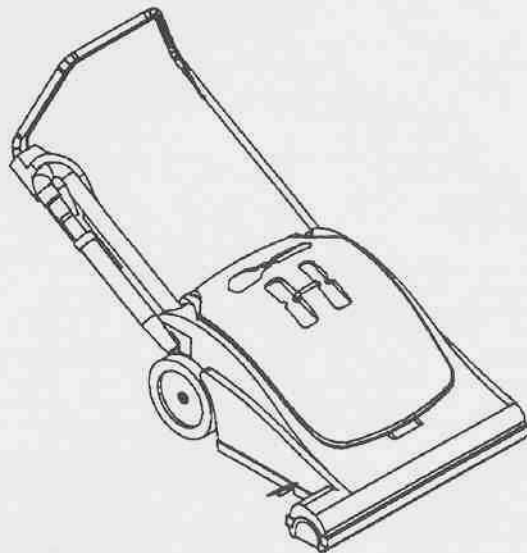


# TASKI

Ersatzteilliste  
Liste des pièces de rechange  
Spare parts list

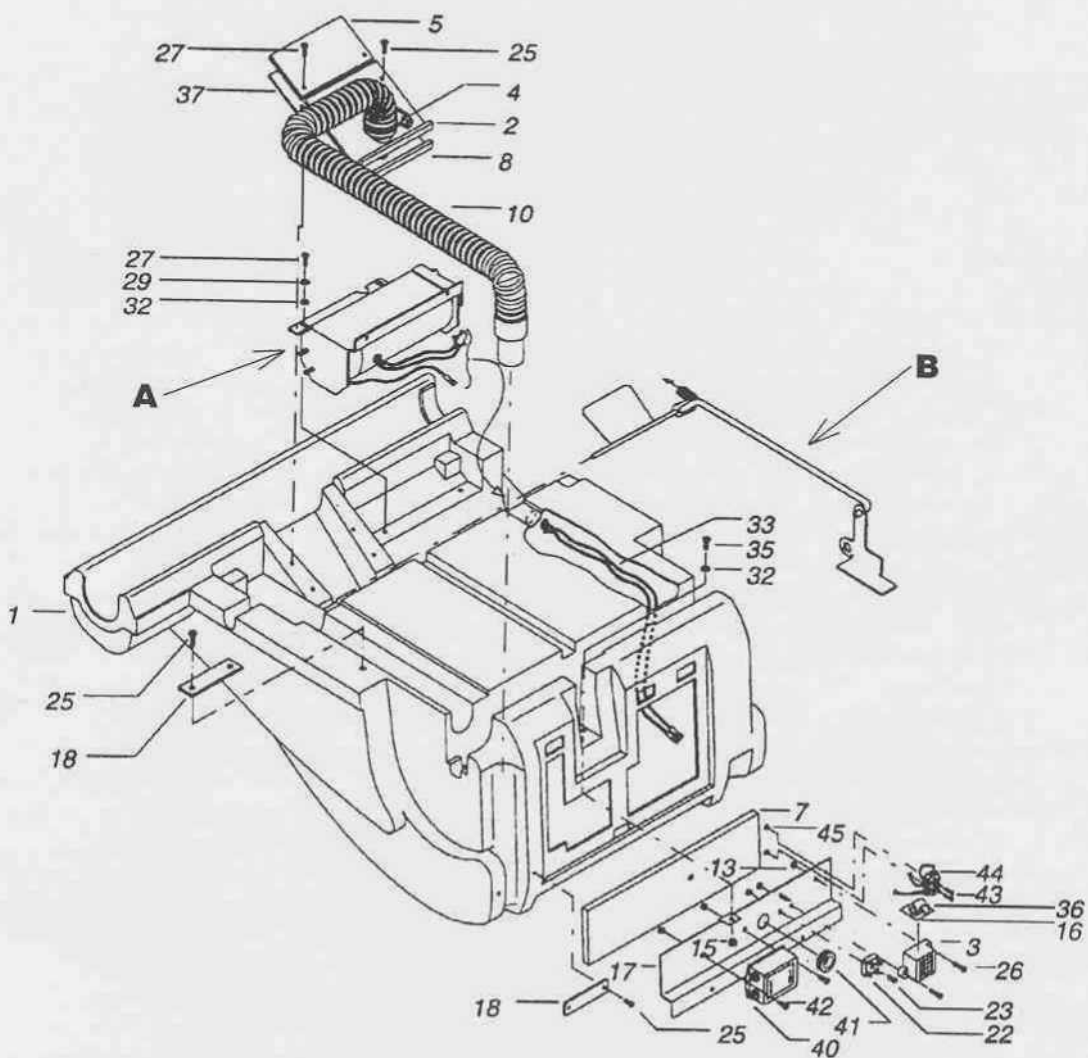
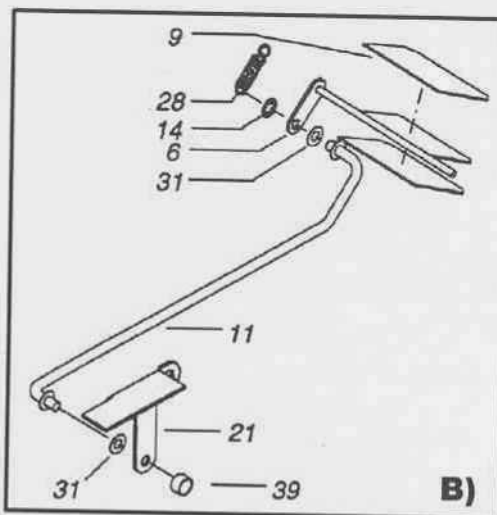
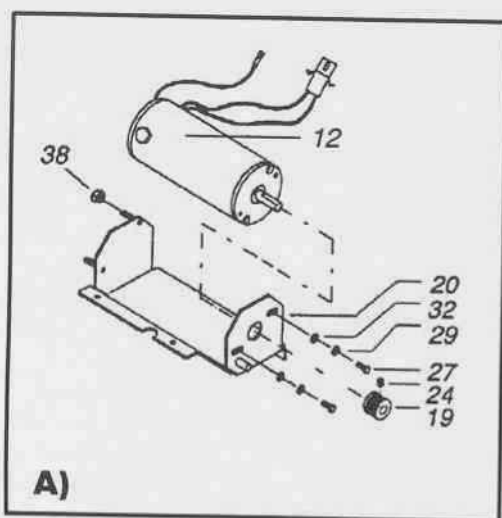
## TASKI tapiset 70



**DiverseyLever**

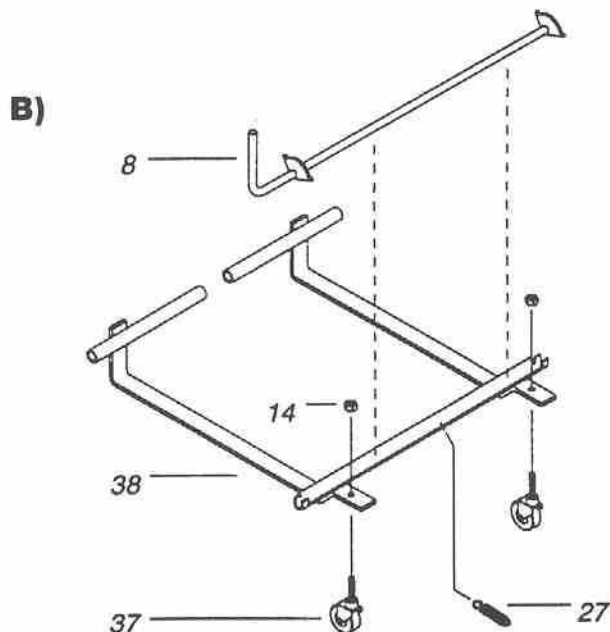
DiverseyLever AG CH-9542 Münchwilen  
Tel. 071/969 27 27 Fax: 071/969 22 53

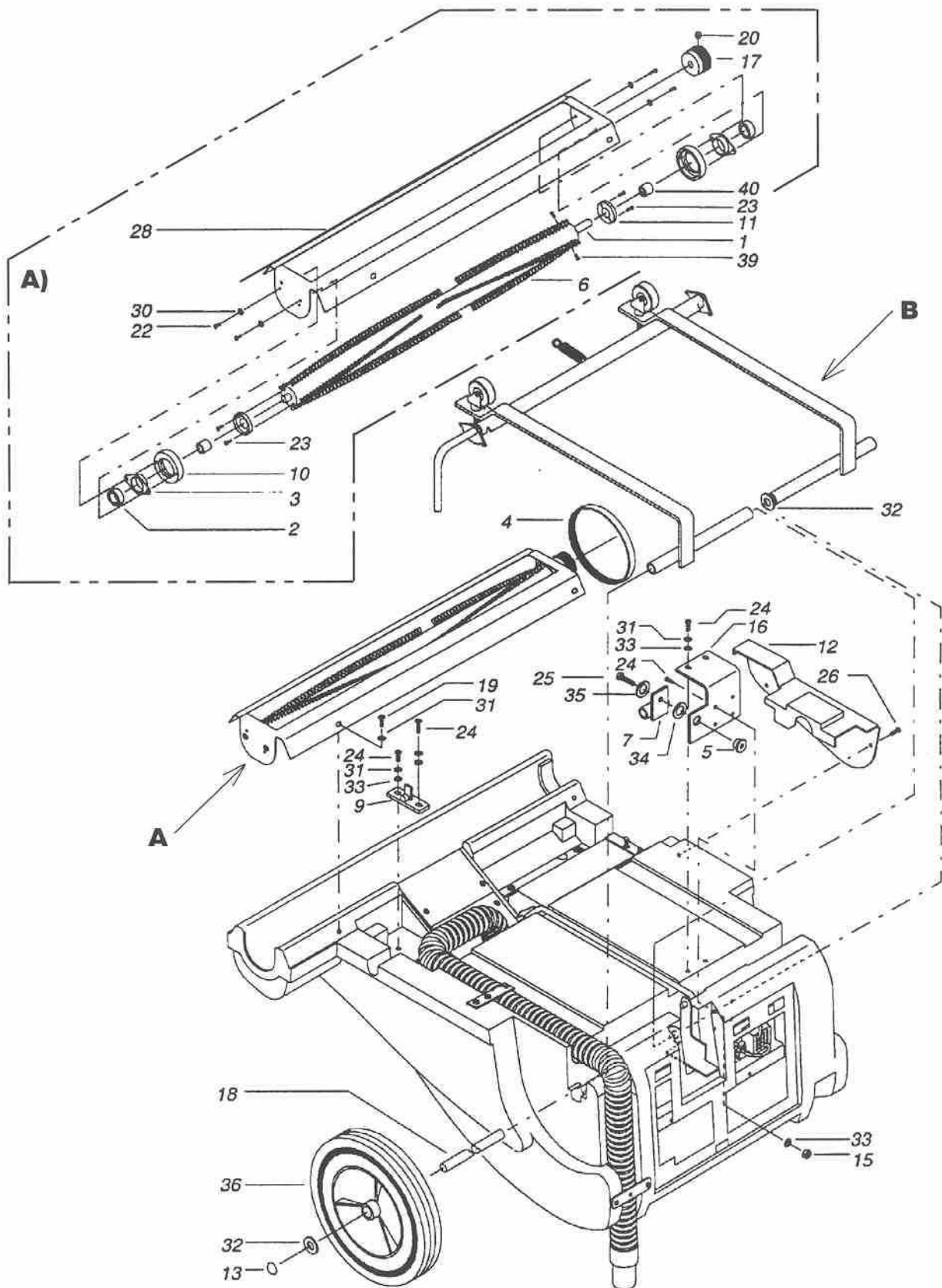
Ausführung/Execution; List(e) /1  
20.07.99 SPS

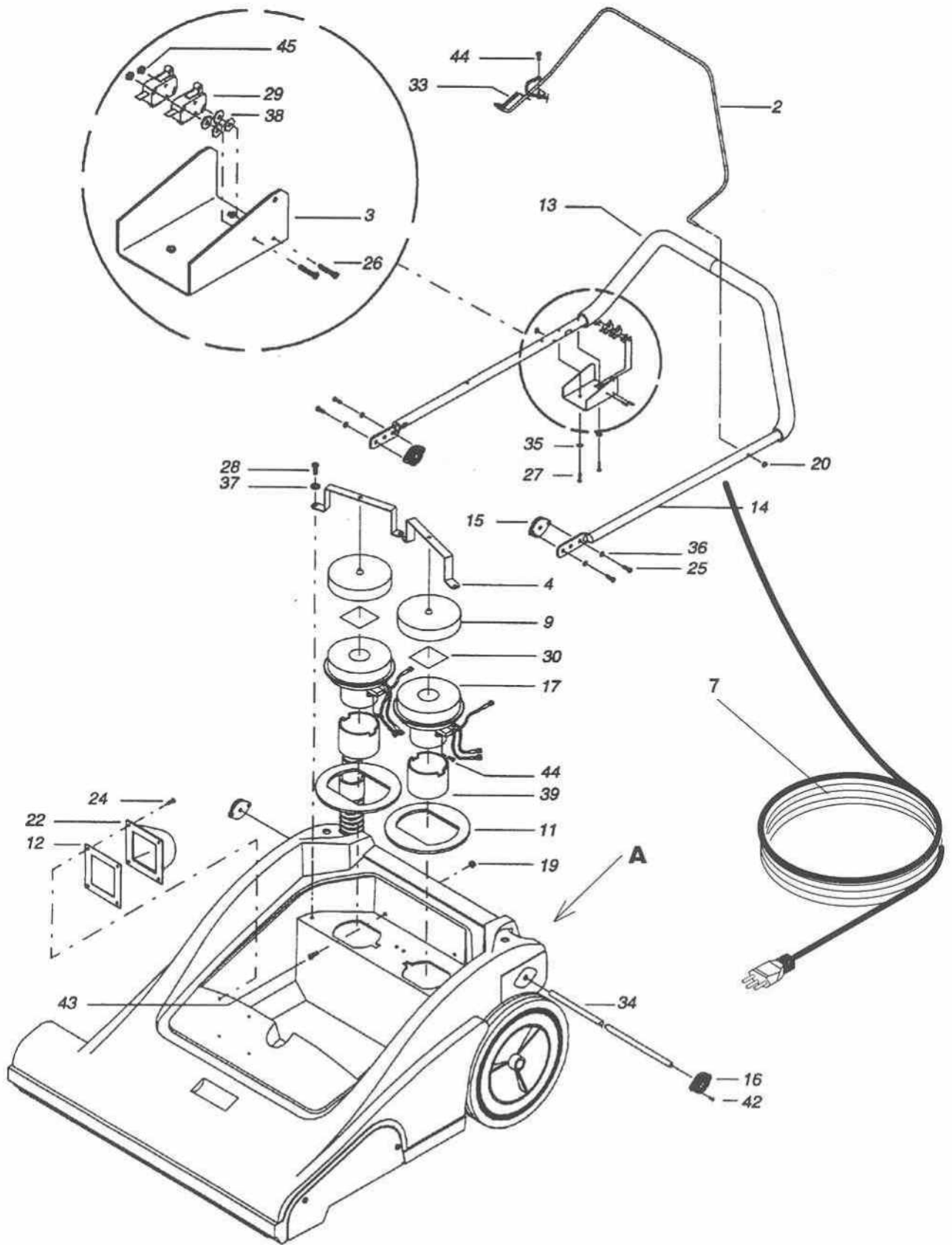


Typ <b>tapiset 70</b>			Maschinenkörper	Bâti de machine	Body
Serie <b>01</b>					
Pos.	Bestell.-Nr. No. de commande Order.-Nr.	Stück Pièces Qty.	Bezeichnung	Designation	Description
1	CH140386	1	MASCHINENKÖRPER, ORANGE	BATI DE MACHINE, ORANGE	BODY, ORANGE
2	CH89199	1	ANSCHLUSSPLATTE	PIECE DE JONCTION	HOSE CONNECT
3	CH14462	1	STECKERBLOCK	CONNECTEUR	TERM BLOCK, 25A 250V 1-1-2
4	2174/110	1	SCHLAUCHKLEMME 45-60	BRIDE 45-60	CLAMP 45-60
5	CH05145	1	ABDECKUNG	COUVERCLE	ACCESS, DEBRIS CHUTE
6	CH29202	1	KLAPPE	TRAPPE	DOOR, FLAPPER
7	CH34310	1	DAEMPFUNGSPLATTE	PLAQUE	FOAM, SOUND INSULATION
8	CH35209	1	DICHTUNG	JOINT	GASKET, HOSE CONNECT
9	CH35224	2	DICHTUNG	JOINT	GASKET, FLAPPER
10	CH39480	1	SCHLAUCH KPL 1.5X30.0	TUYAU COMPL. 1.5X30.0	HOSE ASM, 1.5X30.0 BLK VVAC
11	CH51277	1	STANGE	TIGE	LINKAGE, WAND ACTIVATOR
12	CH53624	1	BUERSTENMOTOR 230 V	MOTEUR DE BROUSSE 230 V	MOTOR 230 VASM, BRUSH DRIVE
	CH140216	1	KOHLEBUERSTEN (SET)	BALAI CHARBON (KIT)	BRUSH SET, BRUSH DRIVE
13	CH57026	5	SICHERUNGSMUTTER 8-32	ECROU SURETE 8-32	NUT, 8-32 NYLOCK PLTD
14	CH57042	1	MUTTER 3/8	ECROU 3/8	NUT 3/8 PUSHLOCK
15	CH57047	1	SICHERUNGSMUTTER 1/4-20	ECROU SURETE 1/4-20	NUT, 1/4-20 NYLOCK PLTD
16	CH80743	1	KABELHALTER	PORTE-CABLE	CLIP, CORD SELF ADHESIVE
17	CH62644	1	SUPPORT	SUPPORT	PLATE, ELECTRICAL PANEL
18	CH62650	2	PLATTE	PLAQUE	PLATE, VAC HOSE RETAINER
19	CH64022	1	POULIE	POULIE	PULLEY, POLY-V BELT MOTOR
20	CH62707	1	MOTORSUPPORT	SUPPORT DE MOTEUR	PLATE, MOTOR MOUNTING
21	CH66281	1	HEBEL	LEVIER	PEDAL, WAND ACTIVATOR
22	CH67029	1	GLEICHRICHTER	REDRESSEUR	RECTIFIER, BRIDGE
23	CH70013	1	LI.ZYL.SCHRAUBE MIT KS 8-32 X 3/4	VIS A TETE CYL BOMB. 8-32 X 3/4	SCR, 8-32 X 3/4 PPHMS
24	CH70074	2	STIFTSCHRAUBE 10-32 X 1/4	VIS SANS TETE 10-32 X 1/4	SET SCR, 10-32 X 1/4 KCP
25	CH70114	8	LI.ZYL.SCHRAUBE MIT KS 10 X 3/4	VIS A TETE CYL BOMB. 10 X 3/4	SCR, #10 X 3/4 POLYFAST
26	CH70449	2	LI.ZYL.SCHRAUBE MIT KS 8-32 X 7/8	VIS A TETE CYL BOMB. 8-32 X 7/8	SCR, 8-32 X 7/8 PHMS SS
27	CH70505	8	SECHSKANTSCHRAUBE 1/4-20 X 1.0	VIS A TETE SIX PANS 1/4-20 X 1.0	SCR, 1/4-20 X 1.0 HHCS PLTD
28	CH73240	1	ZUGFEDER 0.50D X 2.25LX.063	RESSORT 0.50D X 2.25LX.063	SPRING, EXT. 0.50D X 2.25LX.063W
29	CH87025	6	SICHERUNGSSCHEIBE 1/4	RONDELLE DE SURETE 1/4	WASHER, 1/4 LCK EXT. STAR SS
31	CH87030	2	UNTERLAGSCHEIBE 3/8 ID X 3/4	RONDELLE 3/8 ID X 3/4	WASHER, 3/8 ID X 3/4 OD X 0.125
32	CH87090	7	UNTERLAGSCHEIBE 1/4 ID X 3/4	RONDELLE 1/4 ID X 3/4	WASHER, 1/4 ID X 3/4 OD
33	CH880118	1	KABEL	CABLE	WIRE ASM, BRUSH MOTOR
35	CH70586	1	LI.ZYL.SCHRAUBE MIT KS 1/4-20 X 3/4	VIS A TETE CYL BOMB. 1/4-20 X 3/4	SCR, 1/4-20 X 3/4 BLK PHTF
36	CH34314	1	FERRITROHR	ELEMENT FERRIT	FERRITE, .505 X 1.02 X 1.13L
37	CH35208	1	DICHTUNG	JOINT	GASKET, DEBRIS CHUTE ACCESS
38	CH57105	1	SECHSKANTMUTTER 1/4-20	ECROU A SIX PANS 1/4-20	NUT, 1/4-20 HEX W/STAR WASHER
39	CH27063	1	STELLRING 3/8 M. STIFTSCHRAUBE	BAGUE D'ARRET 3/8 AVEC VIS	COLLAR, 3/8 SHAFT
40	CH34313	1	ENTSTOERFILTER 250V, 10A	FILTRE D'ANTIPARASITAGE 250V, 10A	FILTER, EMI 250V, 10A
41	CH36125	1	KABELTUELLE 3/4 ID X 1.38	DOUILLE ANTIFLAMBAGE 3/4 ID X 1.38	GROMMET, 3/4 ID X 1.38 OD
42	CH70052	2	LI.ZYL.SCHRAUBE MIT KS 8-32 X 3/8	VIS A TETE CYL BOMB. 8-32 X 3/8	SCR, 8-32 X 3/8 PPHMS SS
43	CH70245	2	LI.ZYL.SCHRAUBE MIT KS 4-40 X 3/4	VIS A TETE CYL BOMB. 4-40 X 3/4	SCR, 4-40 X 3/4 PPHMS
44	CH14133	1	KLEMMENLEISTE 3-POLIG	SERRE FILS 3-POLES	BLOCK, 3 CIRCUIT TERMINAL
45	CH57163	2	SECHSKANTMUTTER 4-40	ECROU A SIX PANS 4-40	NUT, 4-40 W/STAR WASHER

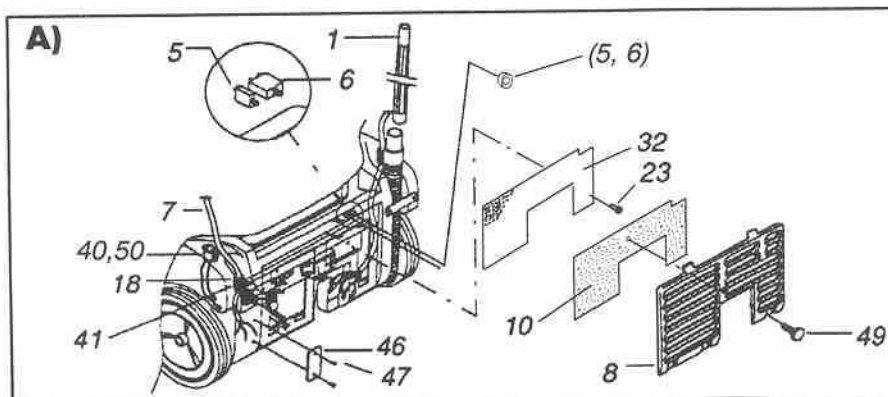
Typ <b>tapiset 70</b>			Maschinenkörper	Bâti de machine	Body
Serie <b>01</b>					
Pos.	Bestell- No. de commande Order-Nr.	Stück Pièces Qty.	Bezeichnung	Designation	Description
1	CH03094	1	WELLE	AXE	AXLE, BRUSH 0.50 OD X 30.0 L
2	CH09019	2	KUGELLAGER	ROULEMENT A BILLES	BEARING, 1.1250 D X 0.500 ID X 0.375
3	CH09055	2	FLANSCH	FLASQUE	BEARING, FLANGE
4	CH11041	1	RIEMEN 220 J-6 POLY-V	COURROIE 220 J-6 POLY-V	BELT, 220 J-6 POLY-V
5	CH140054	1	BUCHSE	DOUILLE	BUSHING, THD 0.750 D X 3/8-18
6	CH140173	1	BUERSTE	BROSSE	BRUSH
7	CH140177	1	FUEHRUNG	GUIDAGE	BRACKET, AXLE HANGER
8	CH140290	1	HEBEL	LEVIER	BAR, HEIGHT ADJUSTMENT
9	CH140314	1	SUPPORT	SUPPORT	BRACKET, HEIGHT ADJ. RIGHT
10	CH36183	2	SCHUTZRING	ANNEAU DE PROTECTION	GUARD, BRUSH BEARING DUST
11	CH36184	2	SCHUTZRING	ANNEAU DE PROTECTION	GUARD, BRUSH BEARING THREAD
12	CH36185	1	ABDECKUNG	COUVERCLE	GUARD, BELT
13	CH41236	2	HALTEKAPPE 5/8"	ANNEAU DE RETENUE 5/8"	HUBCAP, 5/8" SHAFT
14	3304/193	2	SICHERUNGSMUTTER 3/8-16	ECROU DE SURETE 3/8-16	NUT, 3/8-16 SERRATED FLG
15	CH57047	4	SICHERUNGSMUTTER 1/4-20	ECRU DE SURETE 1/4-20	NUT, 1/4-20 NYLOCK PLTD
16	CH62623	1	WINKEL	EQUERRE	PLATE, AXLE MOUNTING
17	CH64091	1	POULIE	POULIE	PULLEY, POLY-V 1.80 D 6 GROOVES
18	CH67376	1	WELLE	AXE	ROD, 0.625 X 25.30 CRS
19	CH70085	5	LI.ZYL.SCHRAUBE MIT KS 1/4-20 X 1/2	VIS A TETE CYL. BOMB. 1/4-20 X 1/2	SCR, 1/4-20 X 1/2 PPHMS SS
20	CH70119	2	STIFTSCHRAUBE 10-32 X 1/4	VIS SANS TETE 10-32 X 1/4	SET SCREW, 1/4-20 X 3/8
22	CH70162	4	LI.ZYL.SCHRAUBE MIT KS 10-32 X 3/8	VIS A TETE CYL. BOMB. 10-32 X 3/8	SCR, 10-32 X 3/8 PHMS SS
23	CH70430	4	LI.ZYL.SCHRAUBE MIT KS 8-18 X 3/8	VIS A TETE CYL. BOMB. 8-18 X 3/8	SCR, *8-18 X 3/8 PHP H-L
24	CH70505	8	LI.ZYL.SCHRAUBE MIT KS 1/4-20 X 1.0	VIS A TETE CYL. BOMB. 1/4-20 X 1.0	SCR, 1/4-20 X 1.0 HHCS PLTD
25	CH70507	1	LI.ZYL.SCHRAUBE MIT KS 3/8-16 X 3/4	VIS A TETE CYL. BOMB. 3/8-16 X 3/4	SCR, 3/8-16 X 3/4 HHCS GR5
26	CH70586	4	LI.ZYL.SCHRAUBE MIT KS 1/4-20 X 3/4	VIS A TETE CYL. BOMB. 1/4-20 X 3/4	SCR, 1/4-20 X 3/4 BLK PPHCS
27	CH73362	1	ZUGFEDER	RESSORT DE TENSION	SPRING, EXT. 0.50 D X 1.75 L X 0.06 W
28	CH73827	1	GEHAEUSE	BATI	SHOE
30	CH87016	4	SICHERUNGSSCHEIBE 10	RONDELLE DE SURETE 10	WASHER, #10 LOCK EXT. STAR SS
31	CH87025	9	SICHERUNGSSCHEIBE 1/4	RONDELLE DE SURETE 1/4	WASHER, 1/4 LOCK EXT. STAR SS
32	CH87088	3	UNTERLAGSSCHEIBE 3/4	RONDELLE 3/4	WASHER, 3/4 ID X 1.0 PLTD
33	CH87090	8	UNTERLAGSSCHEIBE 1/4	RONDELLE 1/4	WASHER, 1/4 ID X 3/4 OD
34	CH87156	4	NYLONSCHLEIBE 3/4X1.25	RONDELLE, NYLON 3/4X1.25	WASHER, 3/4X1.25 NYL
35	CH87163	1	SICHERUNGSSCHEIBE 3/8	RONDELLE DE SURETE 3/8	WASHER, 3/8 SPLIT LOCK PLTD
36	CH89114	2	RAD 10"	ROUE 10"	WHEEL, 10" DIA
37	CH89094	2	LENKROLLE 1-5/8 D	ROULETTE PIVOTANTE 1-5/8 D	WHEEL, 1-5/8 D CUSHION RUBBER
38	CH89131	1	RAHMEN	FRAME	WELDMENT, FRAME
39	1214/20	2	SENKSCHRAUBE M 5X3	VIS A TETE CONIQUE M 5X3	COUNTERSUNK HEAD SCREW M 5X3
40	CH73852	2	BUCHSE	DOUILLE	SPACER, .75 OD X .50 ID CRS





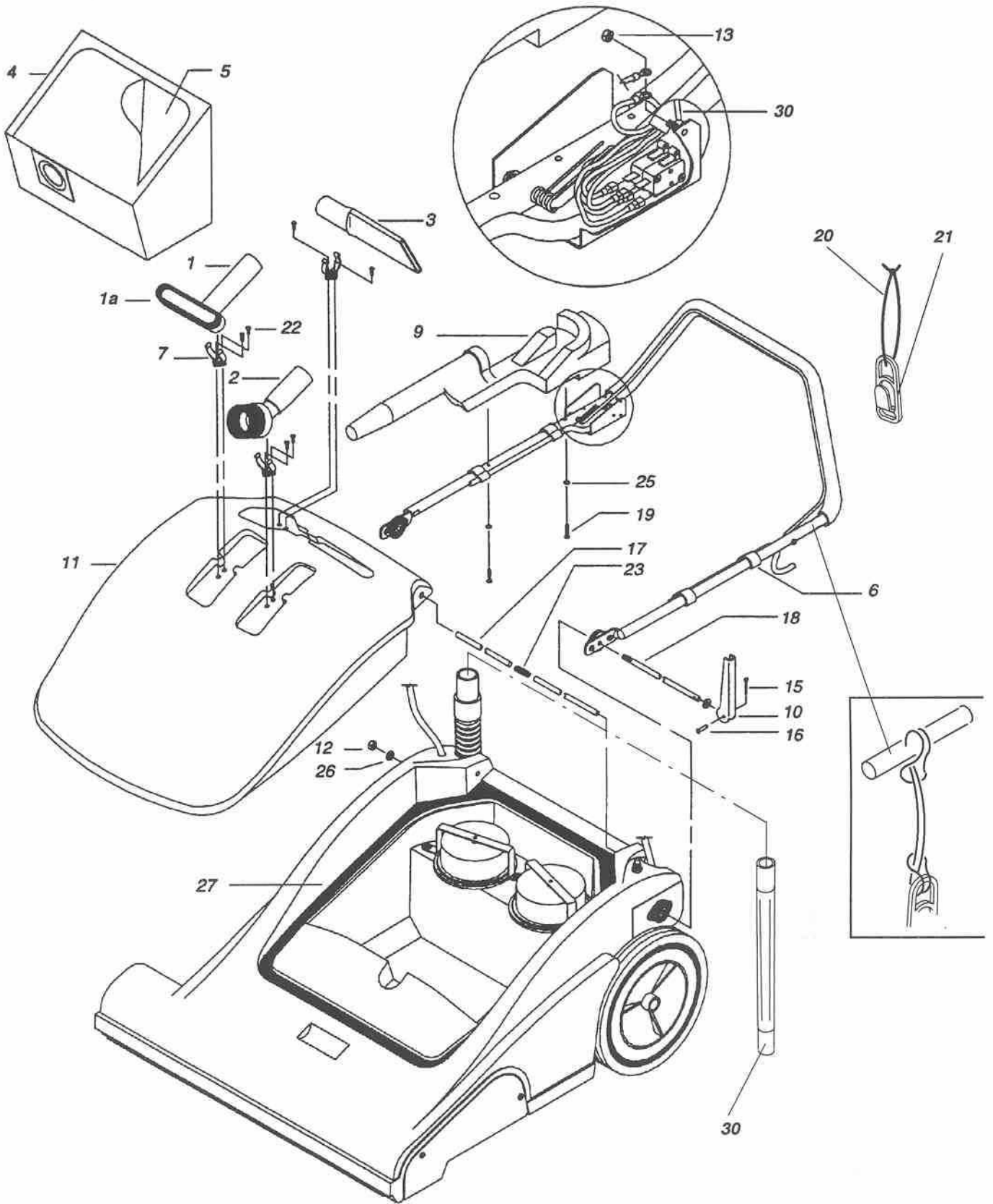


Typ <b>tapiset 70</b>			<b>Saugaggregat &amp; Griff</b>	<b>Turbine &amp; poignée</b>	<b>Vacuum motor &amp; Handle</b>
Serie <b>01</b>					
Pos.	Bestell-Nr. No. de commande Order-Nr	Stück Pièces Qty	Bezeichnung	Designation	Description
1	CH02086	1	ROHR 20"	TUBE 20"	TUBE, 20" EXTENSION
2	CH140186	1	SCHALTERSTANGE	TIGE, INTERRUPTEUR	BAR ASM, BRUSH SWITCH
3	CH140187	1	SUPPORT	SUPPORT	BRACKET, SWITCH MOUNTING
4	CH140196	2	BUEGEL	ETRIER	BRACKET, VAC MOTOR MOUNTING
5	CH14192	1	UEBERSTROMAUSLOESER 1.2 A	DISJONCTEUR DE SURCHARGE 1.2 A	BREAKER, 1.2 A CIRCUIT
6	CH14635	1	UEBERSTROMAUSLOESER 10 A	DISJONCTEUR DE SURCHARGE 10 A	BREAKER, 10A CIRCUIT
7	17501-06 17501-57	1 1	NETZKABELL SEV NETZKABELL EURO	CABLE D'ALIMENTATION SEV CABLE D'ALIMENTATION EURO	CORD SET, 75FT X 1.5MM SEV CORD SET, 75FT X 1.5MM EURO
8	CH27738	1	DECKEL	COUVERCLE	COVER, REAR
9	CH34012	2	FILTER	FILTRE	FILTER, VAC MOTOR
10	CH34326	1	FILTER	FILTRE	FILTER, EXHAUST
11	CH35204	2	DICHTUNG	JOINT	GASKET, 4.0IDX5.5OD 0.38 THK PORON
12	CH35200	1	DICHTUNG	JOINT	GASKET, FILTER BAG NECK
13	CH36104	2	GRIFFPROFIL	PROTECTION HOSE	GRIP, HANDLE ADJUSTMENT
14	CH38272	1	HANDGRIFF INCL. POS. 13	POIGNEE INCL. POS. 13	HANDLE INCL. POS. 13
15	CH51184	2	FLANSCH	FLASQUE	LOCK, HANDLE ADJUSTMENT
16	CH51254	2	FLANSCH	FLASQUE	LOCK, HANDLE
17	CH53784 4700/113	2 -	MOTORTURBINE 230 V KOHLEBUERSTE	TURBINE 230 V BALAI CHARBON	VAC MOTOR ASM, 230V 5.7 1ST BRUSH
18	CH57040	2	SECHSKANTMUTTER 1/2 NPT	ECROU A SIX PANS 1/2 NPT	NUT, 1/2 NPT CONDUIT
19	CH57047	2	SICHERUNGSMUTTER 1/4-20	ECROU SURETE 1/4-20	NUT, 1/4-20 NYLOCK PLTD
20	CH57154	2	HALTEKAPPE 1/4	ANNEAU DE RETENUE 1/4	NUT, CAP 1/4 DIA RETAINING PLTD.
22	CH29209	1	ABDECKUNG	CAPOT	NECK, FILTER BAG
23	1854/184	8	LI-ZYL-BLECHSCHR. K.S. 4,2X13	VIS A TOLE TETE CYL B 4,2X13	PAN HEAD TAPP.SCREW B 4,2X13
24	CH70114	4	LI.ZYL.SCHRAUBE MIT KS 10 X 3/4	VIS A TETE CYL BOMB. 10 X 3/4	SCR, #10 X 3/4 POLYFAST
25	CH70228	4	LI.ZYL.SCHRAUBE MIT KS 10-32 X 1/4	VIS A TETE CYL BOMB. 10-32 X 1/4	SCR, 10-32 X 1/4 PHMS SS
26	CH70401	2	LI.ZYL.SCHRAUBE MIT KS 4-40 X 1.25	VIS A TETE CYL BOMB. 4-40 X 1.25	SCR, 4-40 X 1.25 PHMS
27	CH70361	2	LI.ZYL.SCHRAUBE MIT KS 10-32 X 1/2	VIS A TETE CYL BOMB. 10-32 X 1/2	SCR, 10-32 X 1/2 PHTR PLTD
28	CH70505	4	LI.ZYL.SCHRAUBE MIT KS 1/4-20 X 1.0	VIS A TETE CYL BOMB. 1/4-20 X 1.0	SCR, 1/4-20 X 1.0 HHCS PLTD
29	CH72093	2	ENDSCHALTER	INTERRUPTEUR	SWITCH, 125VDC SPST N.O.
30	CH73461	2	SIEB	SIEVE	SCREEN, 5/32 .032T 20GA AL 3 X 3
32	CH73863	1	LOCHBLECH	TOLE PERFOREE	SCREEN, EXHAUST
33	CH73843	1	FEDER	RESSORT	SPRING, TORSION
34	CH78365	1	ROHR	TUBE	TUBE, HANDLE ADJUSTMENT
35	CH87016	2	SICHERUNGSSCHEIBE 10	RONDELLE DE SURETE 10	WASHER #10 LOCK EXT. STAR SS
36	CH87018	4	UNTERLAGSCHEIBE 10 X 9/16	RONDELLE 10 X 9/16	WASHER #10 X 9/16 OD
37	CH87025	4	SICHERUNGSSCHEIBE 1/4	RONDELLE DE SURETE 1/4	WASHER, 1/4 LOCK EXT. STAR SS
38	CH87068	4	UNTERLAGSCHEIBE 1/8"	RONDELLE 1/8"	WASHER, 1/8" RIVET BACKUP
39	CH27538	2	HAUBE	CAPOT	CAP, MOTOR END VAC PAC
40	CH72076	1	SCHALTER	INTERRUPTEUR	SWITCH, DPST 250V 16(6) A ROCKER
41	CH73195	1	KABELVERSCHRAUBUNG 1/2 NPT	PRESSE-ETOUPE 1/2 NPT	STRAIN RELIEF, 1/2 NPT (.481ID)
42	CH70517	4	LI.ZYL.SCHRAUBE MIT KS 8-32 X 1/2	VIS A TETE CYL BOMB. 8-32 X 1/2	SCR, 8-32 X 1/2 FHMS
43	CH70586	2	LI.ZYL.SCHRAUBE MIT KS 1/4-20 X 3/4	VIS A TETE CYL BOMB. 1/4-20 X 3/4	SCR, 1/4-20 X 3/4 BLK PPHTC
44	CH70323	3	LI.ZYL.SCHRAUBE MIT KS 10-32 X 1/4	VIS A TETE CYL BOMB. 10-32 X 1/4	SCR, 10-32 X 1/4 PHTR PLTD
45	CH57163	2	SECHSKANTMUTTER 4-40	ECROU A SIX PANS 4-40	NUT, 4-40 W/STAR WASHER
46	CH62129	1	PLATTE	PLAQUE	PLATE, DATA LABEL
47	CH67005	2	NIET	RIVET	RIVET, 1/8 OD WHT AL
49	CH70610	1	RAENDELSCHRAUBE 1/4-20 X 1.0	VIS MOLETEE 1/4-20 X 1.0	SCREW, 1/4-20 X 1.0 BLK THUMB
50	CH35206	1	DICHTUNG	JOINT	GASKET



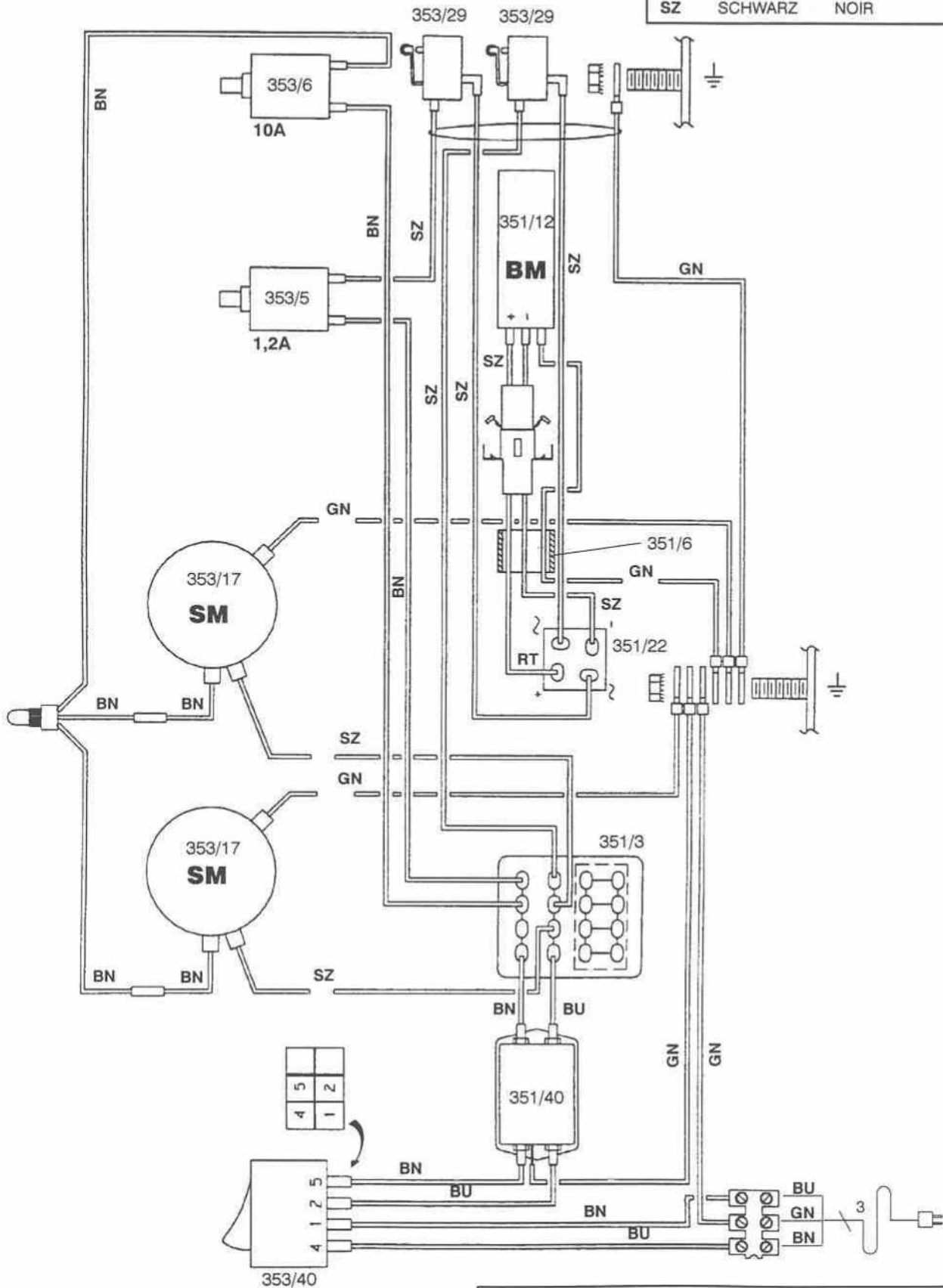
Typ <b>tapiset 70</b>			Griff & Klappdeckel	Poignée & couvercle	Handle & Lid assy
Serie <b>01</b>					
Pos.	Bestell.-Nr. No. de commande Order.-Nr.	Stück Pièces Qty.	Bezeichnung	Designation	Description
1	CH02084	1	POLSTERDUESE 5"	SUCEUR POUR MEUBLES REMB. 5"	UPHOLSTERY NOZZLE 5"
1a	CH02085	1	BORSTENKRANZ ZU POS. 1	BROSSE PINCEAU POUR POS. 1	BRISTELS FOR POS. 1
2	CH02083	1	PINSELDUESE 3"	PINCEAU-SUCEUR 3"	DUSTING BRUSH NOZZLE 3"
3	CH02292	1	RITZENDUESE	SUCEUR A FENTES	CREVICE NOZZLE
4	8505.520	1	STAUBSACK SYNTH. STOFF	SAC A POUSSIERE, TISSU SYNTH.	BAG, CLOTH
5	8505.530	1	STAUBSACK (10 STCK. PAPIER)	SAC A POUSSIERE (PAPIER, 10 PCS.)	BAG PAPER (PKG OF 10)
6	---	4	CLIP, VERW. POS. 31 (SERVICE)	CLAMP, EMPL POS. 31 (SERVICE)	CLIP, USE POS. 31 (SERVICE)
7	CH27744	3	CLIP 1-1/2'	CLAMP 1-1/2'	CLIP, C 1-1/2' POLYFAST
9	CH41358	1	FUHERUNG	GUIDAGE	HOLSTER, WAND
10	CH51142	1	HEBEL	LEVIER	LEVER, HANDLE LOCK
11	CH51324	1	KLAPPDECKEL ORANGE	COUVERCLE ORANGE	LID
12	CH57022	1	SICHERUNGSMUTTER 3/8-16	ECROU SURETE 3/8-16	NUT, 3/8-16 THIN NYLOCK SS
13	CH57105	1	SECHSKANTMUTTER 1/4-20	ECROU A SIX PANS 1/4-20	NUT, 1/4-20 HEX W/STAR WASHER
15	1931/57	2	SPLINT 2X16	GOUPILLE FENDUE 2X16	COTTER PIN 2X16
16	CH66133	1	STIFT	GOUPILLE	PIN, CLEVIS 3/16" X 7/8" L
17	CH66285	2	WELLE	AXE	PIN, 0.250 X 7.5 CRS
18	CH67374	1	STANGE	TIGE	ROD, HANDLE ADJUSTMENT
19	CH70253	2	LI.ZYL.SCHRAUBE MIT KS 10-32 X 1,25	VIS A TETE CYL BOMB. 10-32 X 1,25	SCR, 10-32 X 1.25 PHMS
20	14504-16	1	ZUGSCHLINGE	BOUCLE DE RETENTIONR	RETENSION LOOP
21	4425/021	1	KABELZUGENTLASTUNG	ETRANGLOIR	STRAIN RELIEF
22	CH70403	6	LI.ZYL.SCHRAUBE MIT KS 10 X 1/2	VIS A TETE CYL BOMB. 10 X 1/2	SCR, #10 X 1/2 POLYFAST
23	CH73838	1	DRUCKFEDER	RESSORT DE PRESSION	SPRING, .24 OD X 2.0 COMP.
25	CH87016	2	SICHERUNGSSCHEIBE 10	RONDELLE DE SURETE 10	WASHER, #10 LOCK EXT. STAR SS.
26	CH87080	2	UNTERLAGSCHEIBE .5 X 1.25	RONDELLE .5 X 1.25	WASHER, .5 X 1.25 FLAT GR8 PLTD
27	CH35207	2	DICHTUNG	JOINT	GASKET, FOAM 1/2 X 1.0
30	CH02086	1	SAUGSTANGE	TIGE D'ASPIRATION	SUCTION HOSE
31	4215/3	2	KABELBINDER 185 MM	BANDE A LIER LES CABLES 185 MM	CABLE TIE 185 MM





Typ <b>tapiset 70</b>	<b>Elektroschema</b>	<b>Schema électrique</b>	<b>Wiring diagram</b>
Serie <b>01</b>			

<b>BN</b>	BRAUN	BRUN	BROWN
<b>BU</b>	BLAU	BLEU	BLUE
<b>GN</b>	GRUEN	VERT	GREEN
<b>RT</b>	ROT	ROUGE	RED
<b>SZ</b>	SCHWARZ	NOIR	BLACK



<b>SM</b>	MOTORTURBINE	TURBINE	VACUUM MOTOR
<b>BM</b>	BUERSTENMOTOR	MOTEUR DE BROSSE	BRUSH MOTOR